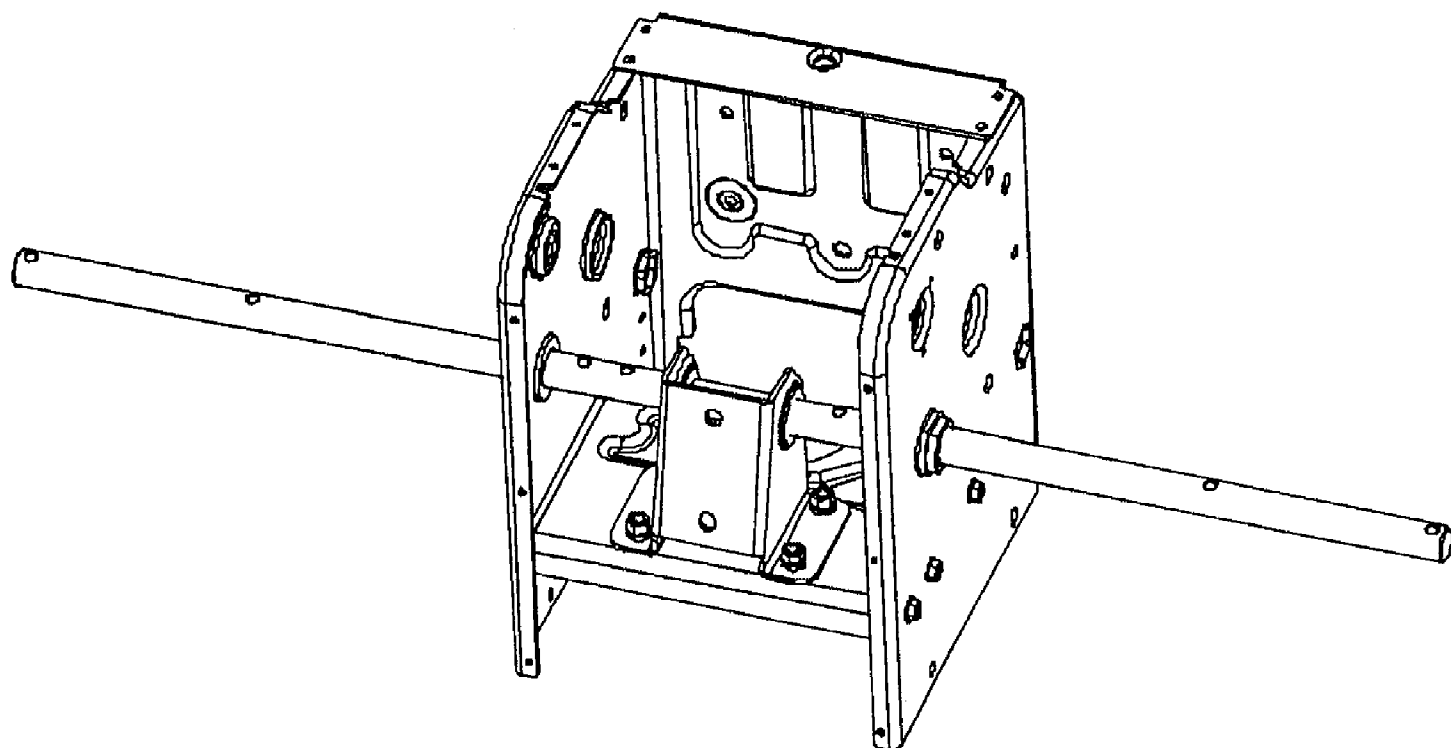
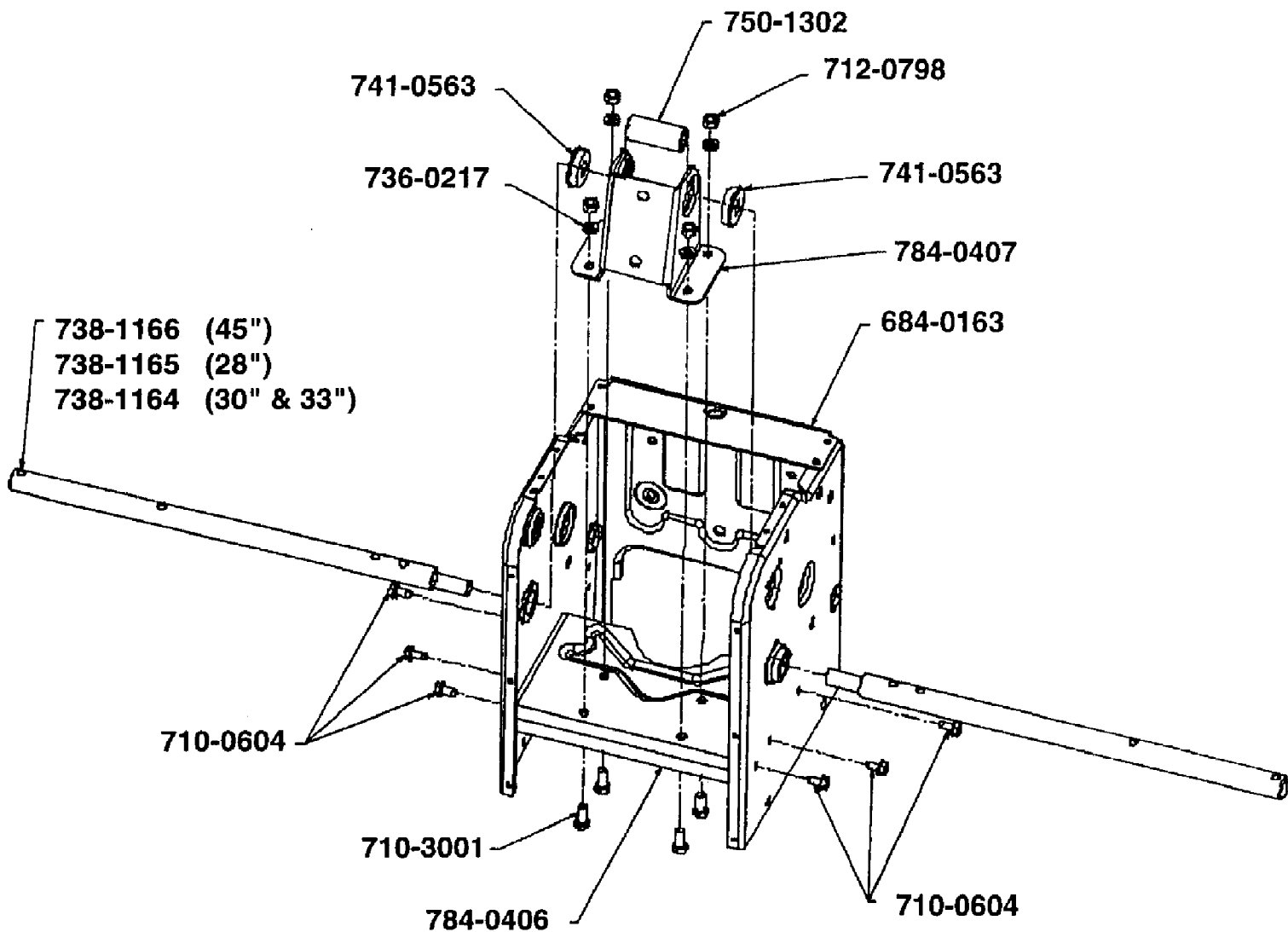


31AE9931190 Snow Boss 1350W (2001)  
Axle & Frame Support Bracket (S/N XXXXX - XXXXX)

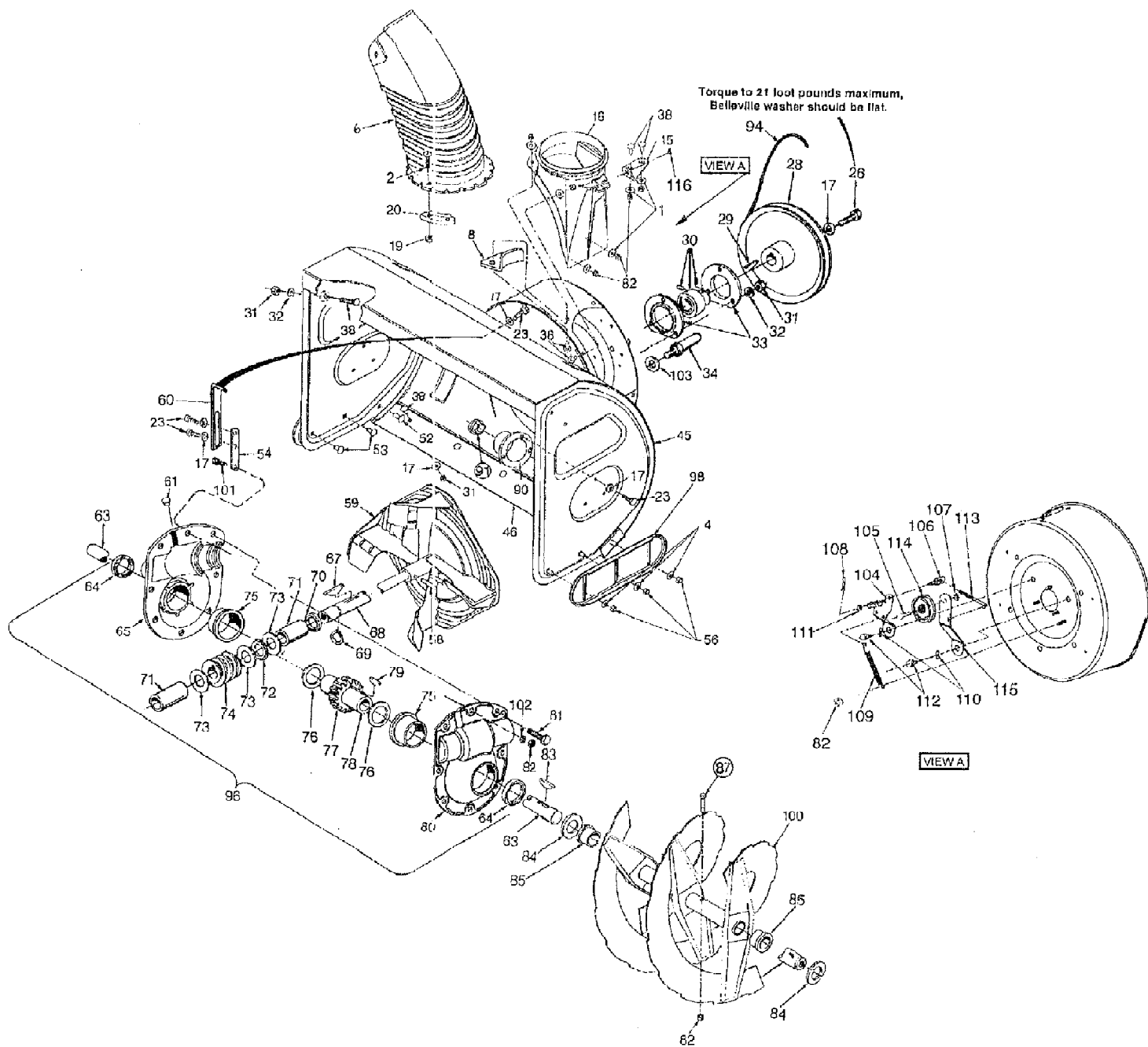


31AE9931190 Snow Boss 1350W (2001)  
Axle & Frame Support Bracket (S/N XXXXX - XXXXX)

Page 2 of 23

Ref #	Part Number	Qty	S/P/F	Description
684-0163	684-0163	1		Trans. Frame
710-0604	710-0604	6	S	Screw
710-3001	710-3001	4	/P	Bolt
712-0798	712-0798	4	/P	Nut
736-0217	736-0217	4	S	Lock Washer
738-1164	738-1164	2	S	Axle, 30" & 33" Housing
738-1165	738-1165	2		Axle, 28" Housing
738-1166	738-1166	2	S	Axle, 45" Housing
750-1302	750-1302	1	S	Spacer
741-0563	741-0563	1	S	Ball Bearing
784-0406	784-0406	1	S	Frame Support Bracket
784-0407	784-0407	1	S	Axle Support Bracket

31AE9931190 Snow Boss 1350W (2001)  
Blower Housing



31AE9931190 Snow Boss 1350W (2001)  
Blower Housing

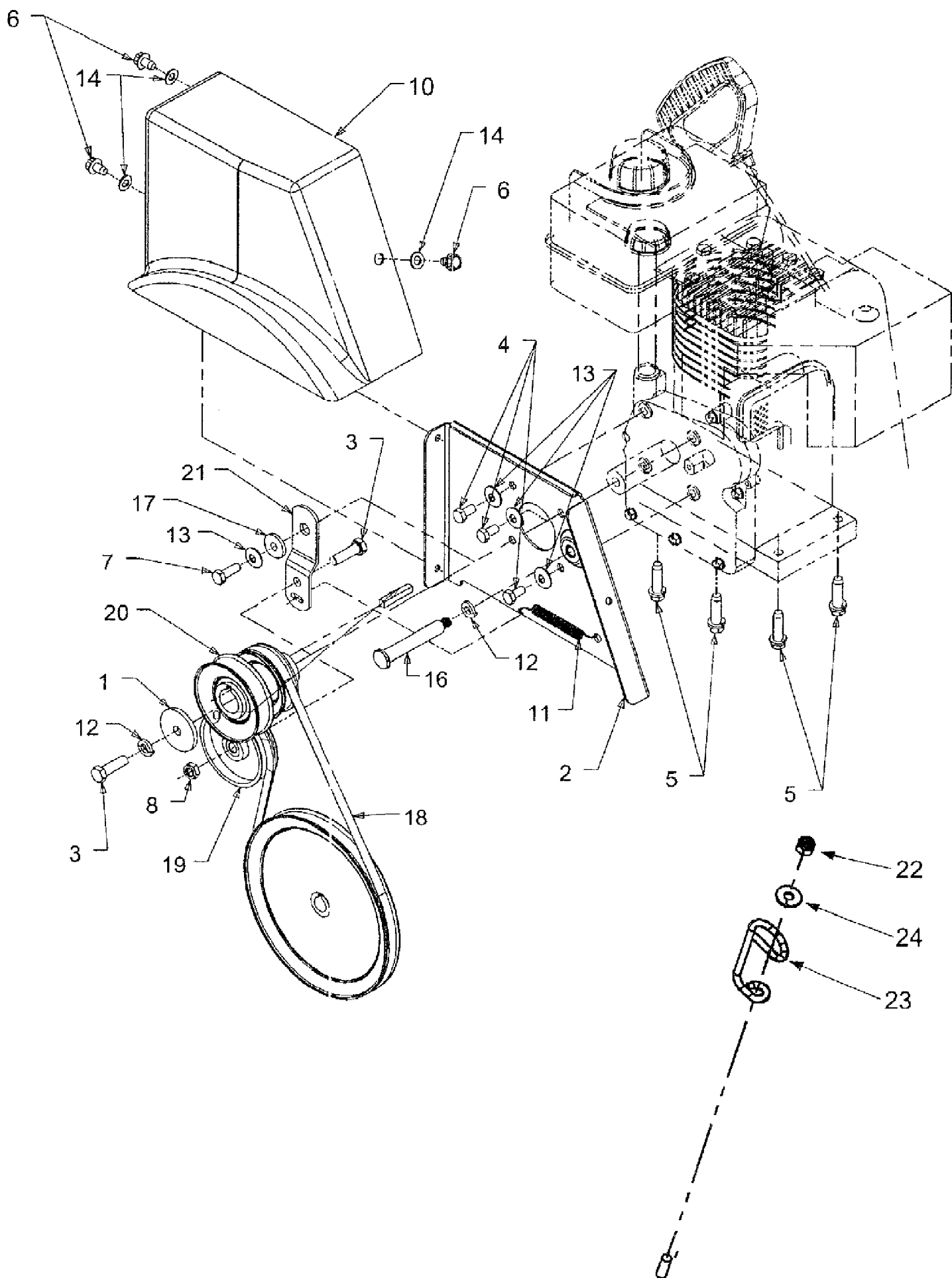
Page 4 of 23

Ref #	Part Number	Qty	S/P/F	Description
1	736-0159	7	S	Flat Washer .344 I.D. x .875 O.D.
2	710-3015	6	/P	Truss. Hd. Mach. Scr. 1/4-20 x .75
4	736-0105	6	/P	Bell. Washer
6	731-0903D	1	S	6" Lower Chute Remote Tilt
8	784-5711	1	S	Chute Bracket
15	784-5123	1	S	Chute Bracket
16	731-1696	1	S	Chute Adapter
17	736-0242	15	/P	Bell. Washer .345 I.D. x .88 O.D. x .06
19	712-3027	6	S	Hex Cent. L-Nut 1/4-20 w/ Flange
20	731-0851A	3	/P	Chute Flange Keeper
23	710-0601	9	S	Hex Wash HD Self-Tap Scr 5/16-18 x .75
26	710-0371	1	/P	Hex Screw 5/16-18 x .75
28	756-0243	1		1/2" V-Pulley .875 I.D. x 10.12 O.D.
29	714-0126	1	S	#9 Hi-Pro Key 3/16 x 3/4 Dia FIT
30	741-0185	1	S	Self-Aligning Bearing .875 I.D.
31	712-3010	12	S	Hex Nut 5/16-18 Gr. 5
32	736-0119	7	S	L-Wash 5/16 I.D.
33	05244A	2	S	Bearing Housing
34	711-0640	5	S	Belt Keeper Studs 3/8-16 x 2.75
38	710-0451	16	/P	Carriage Bolt 5/16-18 x .75
45	684-0093A	1		33" Snowthrower Hsg. Ass'y
46	784-5714	1	S	Shave Plate 33"
52	710-3168	2	/P	Carriage Bolt 3/8-16 x 1.00 Gr. 5
53	710-0389	4	/P	Carriage Bolt 3/8-16 x .75" Lg.
54	784-5710	1	S	Gear Housing Support Plate 1 x 3/16
56	712-0798	6	/P	Hex Jam Nut 3/8-16
58	715-0118	2	S	Spring Spiral Pin Heavy 5/16 dia x 1.7
59	684-0090	1	S	Blower Fan Ass'y Complete
60	784-5076	1	S	Gear housing Support Bracket 1 x 3/16
61	721-0325	1		Barbed Plug
63	738-0491	1		Spiral Axle-33"
64	721-0146	2	S	Oil Seal 1.50 ID Garlock (76 x 6223)
65	719-0348	1	S	Gear Housing Half - RH
67	714-0126	1	S	#9 Hi-Pro Key 3/16 x 3/4 dia HT
68	711-1133	1		Auger Control Shaft
69	716-0111	1	/P	Snap Ring for .875 dia. shaft
70	721-0145	1	S	Oil Seal for .875 I.D. (76 x 61123)
71	741-0217	2	S	Sleeve Bearing .875 I.D.
72	741-0184	1		Thrust Bearing .88 I.D. x 1.44 O.D. x .078
73	736-0291	3	S	Flat Washer .88 I.D. x 1.4 O.D. x .125
74	717-0299	1	S	Worm Gear L.H. Double Thread
75	741-0670	2		Flange Brg. 1.5 I.D. x 1.75 O.D. x .80
76	736-0266	2	S	Flat Washer 1.5 I.D. x 2.0 O.D. x .03
77	717-1425	1	S	Worm Gear LH Double Thread (Bronze)
78	738-0275	1		Worm Gear Shaft
79	714-0135	1	S	#91 Woodruff Key 1/4 x 3/4 dia
80	719-0349	1	S	Gear Housing Half L.H.
81	710-1260A	7	/P	Hex Flange Scr. 5/16-18 x .75
82	712-0429	12	S	Hex Ins. L-Nut 5/16-18
83	714-0135	1	S	#91 Woodruff Key 1/4 x 3/4 dia
84	736-0250	4	/P	Flat Wash.
85	741-0494	4		Flange Bearing
87	710-0891	1	/P	Hex Bolt 5/16-18 x 1.75

31AE9931190 Snow Boss 1350W (2001)  
Blower Housing

Page 5 of 23

Ref #	Part Number	Qty	S/P/F	Description
90	05845B	2	S	Housing bearing 1.5 Dbl D
?91	741-0192	2		Flange Bearing w/flats
94	754-0222	1	S	V-Belt 1/2 x 44 LG
96	618-0257	1		Worm Gear Box Ass'y
98	784-5697	2		Reversible Skid Shoe
100	705-5210A	1	S	RH Spiral Ass'y Serrated - 33"
	705-5211A	1	S	LH Spiral Ass'y Serrated - 33"
101	710-0528	1	/P	Hex Scr 5/16-18 x 1.25
102	736-0271	1	S	5/16 Sprg Wash.
103	736-0169	5	S	3/8 Sprg Lock Wash.
104	618-0281	1	S	Brkt Ass'y Brkt
105	710-0459A	1	/P	Scr Hex Cap 3/8-24 x 1.5 Gr. 5
106	711-0677	1	S	Adjustment Ferrule
107	712-0116	1	S	Hex Ins L-Nut 3/8-24
108	714-0104	1	S	Intern Cot-Pin 5/16 dia
109	732-0858	1		Spr Extn .470 dia x 4.75 Lg
110	736-0174	2	/P	Wave Washer .66 ID x .88 O.D.
111	736-3008	1	S	FI-Wash SAE .34 x .68
112	738-0281	2	S	Shld Scr .625 dia x .170 x .062
113	747-0980	1		Rod Idler Auger
114	756-0240	1		3.0 OD Flat Idler with Flanges
115	784-0385	1	S	Brkt Idlr Auger
116	741-0475	1	S	Plastic Bushing .380 I.D.



31AE9931190 Snow Boss 1350W (2001)  
Drive Belt

Page 7 of 23

Ref #	Part Number	Qty	S/P/F	Description
1	07386	1		Washer .390 I.D. x 1.75
2	684-0123A	1	S	Brkt Asm:Cvr:Belt
3	710-0191	2	/P	Hex Head Screw
4	710-0237	3	/P	Hex Hd. Screw 5/16-24 x .625
5	710-0502A	4	/P	Hex TT Tap Scr. 3/8-16 x 1.25" Lg.
6	710-0607	3	/P	Hex Wash. Screw 5/16-18
7	710-1245	1	/P	Hex Lock Screw 5/16-24 x .875
8	712-0116	1	S	Jam Nut 3/8-24 Thd.
9	714-0118	1	/P	Key
10	731-0321	1	S	Belt Cover
11	732-0303	1	S	Spring:Extension
12	736-0217	2	S	L-Wash. 3/8
13	736-0242	4	/P	Bell-Wash. .340 I.D. x .872 O.D.
14	736-0264	3	S	FI-Wash. .330 I.D. x .630 x .06
16	738-0215A	1	/P	Shld. Screw .498 x 2.99 Lg.
17	748-0234	1	/P	Shld. Spacer
18	754-0131	1	S	Variable Speed Belt
19	756-0240	1		FI-Idler Pulley 3.0" Dia.
20	756-0241B	1	/P	Double Pulley
21	784-5726	1		Idler:Brkt
22	712-0324	1	/P	Hex Lock Nut 1/4-20
23	732-0705	1		Cable Control Wire
24	736-0173	1	/P	FI-Wash. .28 x .74 x .063
	777D00075	1		Handle Parcel White Wheel Drive
	777D02114	1		Snow Boss 1350 Top of Auger
	777D02115	1		13 Hp Side of Engine
	777530004	1		Top of Chute Danger/Warning
	777530005	1		Top of Auger Danger/Warning
	777120753	1		Control Panel Chute Tilt Control
	777120424	1		Control Panel Traction Control

31AE9931190 Snow Boss 1350W (2001)  
Drive Pivot Plate Assembly (S/N XXXXX - XXXXX)

To eliminate the continuous wear of the transmission frame in the area of the drive pivot plate assembly, two hex bushings have been added to the pivot rod to support the assembly in the frame. (See figures 1a & 1b)

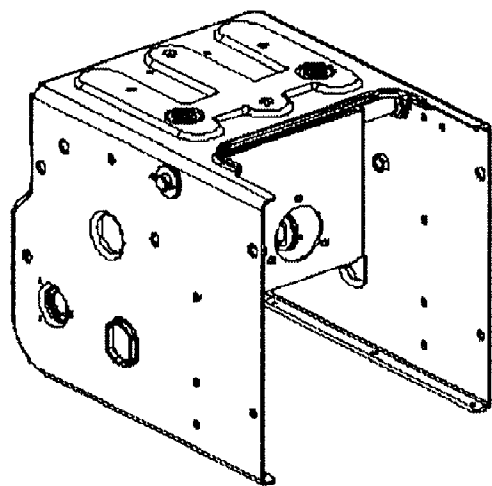


Figure 1a

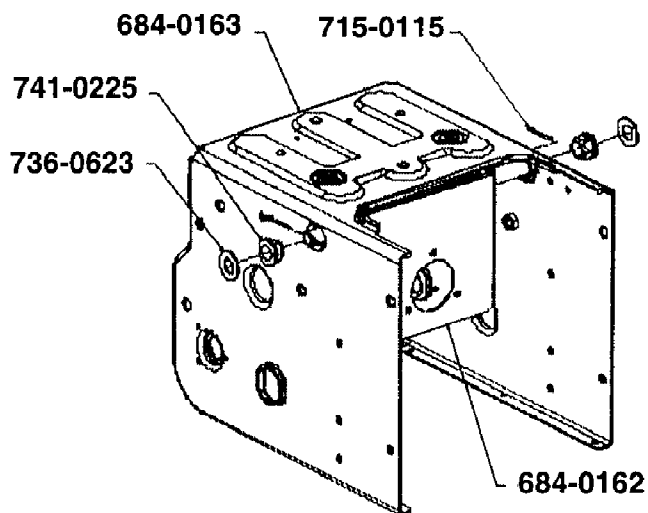
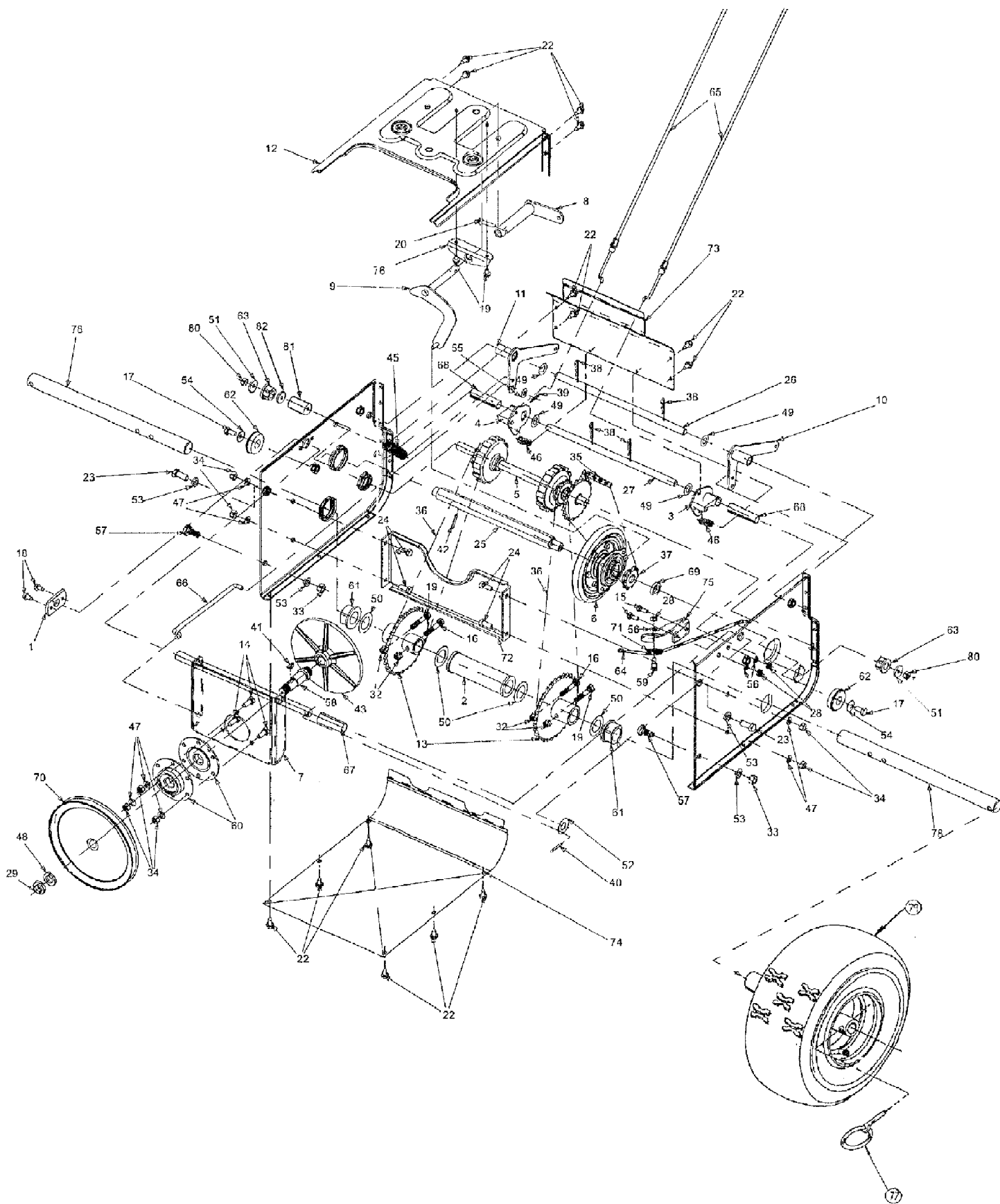


Figure 1b



31AE9931190 Snow Boss 1350W (2001)  
Drive Pivot Plate Assembly (S/N XXXXX - XXXXX)

Ref #	Part Number	Qty	S/P/F	Description
684-0162	684-0162	1	S	Drive Pivot Plate
684-0163	684-0163	1		Trans. Frame
715-0115	715-0115	2		Cotter Pin
736-0623	736-0623	2	S	Washer
741-0225	741-0225	2	S	Bushing



31AE9931190 Snow Boss 1350W (2001)  
Frame Assembly

Page 11 of 23

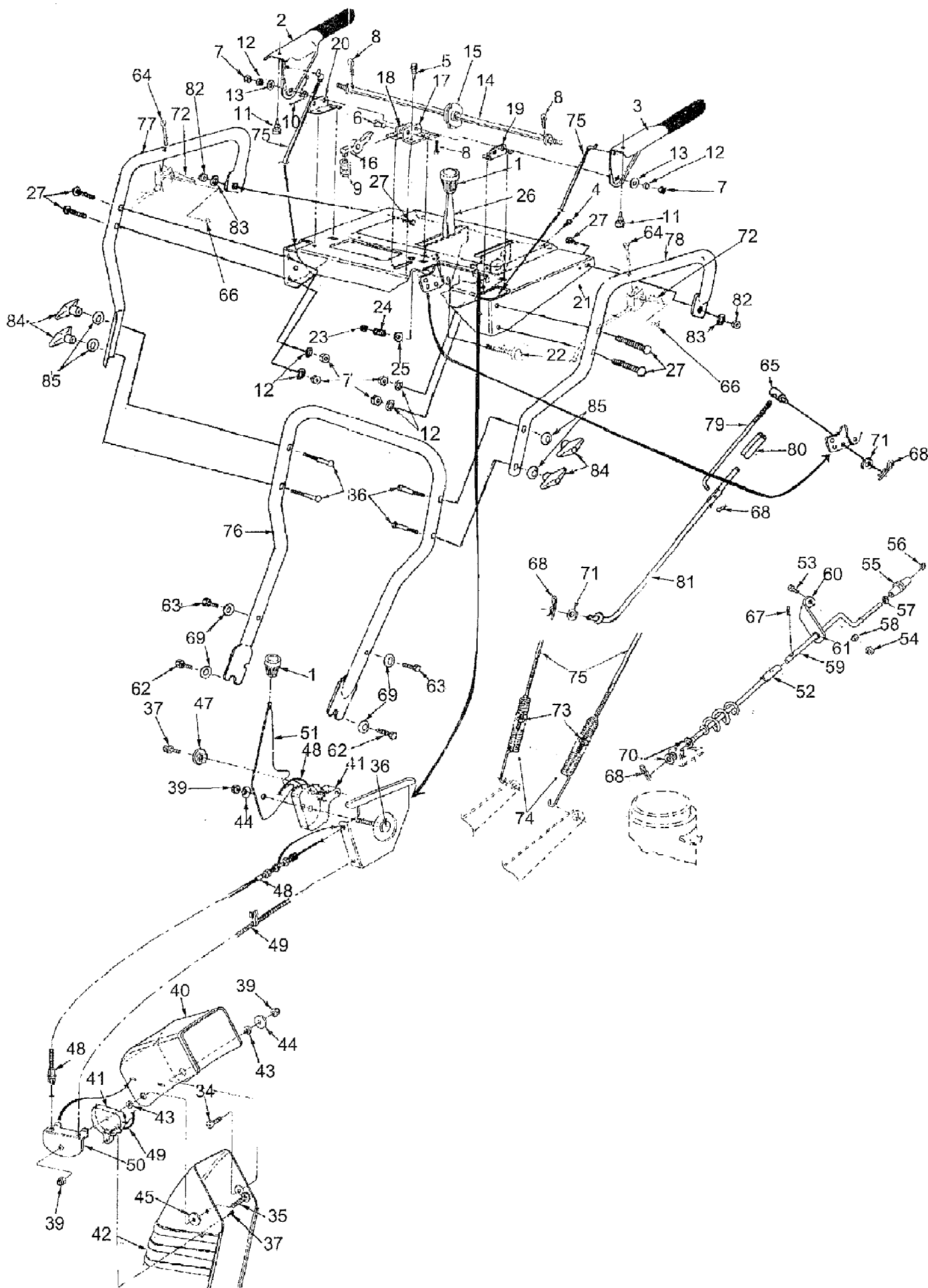
Ref #	Part Number	Qty	S/P/F	Description
1	05523	1		Pivot Axle Brkt. .63 Hole - Zinc
2	618-0278	1		Bush Asm slev
3	618-0279	1	S	Dogg Asm Dr Lh
4	618-0280	1	S	Dogg Asm Dr Rh
5	618-0282A	1	S	Shf Asm Dr
6	618-0296	1	S	Whl Asm Brg 6.0 OD Friction
7	684-0115	1	S	Brkt Asm Supt Friction Dr
8	684-0116	1		Arm Asm Shift
9	684-0117	1		Shft Asm Rod
10	684-0118	1	S	Brkt Asm Actr Auger
11	684-0119	1	S	Brkt Asm Actr Dr
12	684-0120	1		Frm Asm Trans
13	684-0122	2		Spkt Asm 32t
14	710-3008	3	/P	Hex Scr 5/16-18 x .75
15	710-0195	2	S	Hhcs 1/4-28 .625 Gr5 std
16	710-3180	2	/P	Hex Scr 5/16-18 x 2.00
17	710-0538	2	/P	Hhcs 5/16-18 x .625 Gr5 Lock
18	710-0599	4	/P	Scr TT 1/4-20 x .5 Hxindwsh
19	710-3103	2	/P	Hex Scr 5/16-18 2.00 Lg
20	710-0788	1	/P	Scr Hexwash 1/4-20 x 2.00
22	710-1652	14	/P	Scr Ab 1/4-20 .625 Hxindwsh
23	710-3001	2	/P	Hhcs 3/8-16 x .880 Gr5 Std
24	710-3008	4	/P	Scr Cap 5/16-18 x .75 Gr 5
25	711-1191	1		Shf Dr .875 Hex
26	711-1193	1		Shf Sctr
27	711-1194	1		Shf Actr Dr
28	712-0138	3	S	Hex Nut 1/4-28
29	712-0221	1		Hex Ins Jam L-nut 5/8-18
32	712-0429	4	S	Hex Ins L-nut 5/16-18
33	712-0798	2	/P	Hex Nut 3/8-16
34	712-3010	7	S	Nut Hex 5/16-18 Gd 5
35	713-0284	1		#41 Chain 1/2 Pitch x 36 L
36	713-0286	2	/P	#420 Chain 1/2 Pitch x 40 L
37	713-0413	1		Spkt 10t #41 x .500
38	714-0101	4	S	Internal Cot-pin 1/2 Dia
39	714-0104	1	S	Intern Cot-pin 5/16 Dia
40	714-0115	1	S	Cotter Pin 1/8 Dia x 1
41	714-0388	1	S	#61 Hi-pro-key 3/16 x 5/8
42	715-0249	1	S	Spring Pin Roll 5/32
43	717-0302	1	S	Aluminum Drive Plate
45	732-0121	1	S	Idler Extension Spring
46	732-0209	2	S	Extension Spring
47	736-0119	7	S	Lock Washer 5/16
48	736-0158	1	S	Lock Washer 5/8
49	736-0160	4	S	Wash Fl .531 ID x .930 OD x .05
50	736-0163	4	S	Wash Fl 1.03 ID x 1.62 OD
51	736-0300	2	S	Wash Flt 1/4 ID x .930 OD x .12
52	736-0623	1	S	Wash Flt .640 ID x 1.24 OD x .06
53	736-0217	4	S	Lock Washer 3/8 Heavy
54	736-0242	2	/P	Bell Wash .345 ID x .88 OD
55	736-0275	1	S	Fl-wash Sae .34 x .68 .062
56	736-0329	5	S	Lock Washer 1/4
57	738-0143	1	/P	Scr 1/4-28 .625 Dia x .340

31AE993I190 Snow Boss 1350W (2001)  
Frame Assembly

Page 12 of 23

Ref #	Part Number	Qty	S/P/F	Description
58	738-0279	1		Drive Plate Spindle
59	738-0924	1	S	Scr Shldr .340 D. 1/4 Ab
60	741-0163A	2	/P	Asm Brg Hsg
61	741-0192	2		Flange Brg Pm W/flts 1.0
62	741-0563	2	S	Ball Bearing W/snap Ring
63	741-0597	2	S	Brg Hex Flange x .564 ID
64	746-0951	1	S	Cb Idlr Auger
65	746-0949	2	S	Cbl Strg
66	747-0973	1		Rod Clu Dr
67	750-1097	1		Spcr Splt .64 x .77 x 2.1
68	750-0903	2	S	Split Spacer 1/2 x 5/8 x 2.44
69	750-0997	1	S	Spcr .675 ID x 1.00 OD x .23
70	756-0344	1	/P	112 V-pulley .62 ID x 7.5
71	756-0625	1		Cable Guide Roller
72	784-0377	1	S	Brkt Supt Frm
73	784-0379	1		Cvr Frm Up
74	784-0380	1		Cvr Frm Lwr
75	784-0384	1	S	Brkt Gde Auger Cbl
76	784-5590	1		Shift Bracket Frame
77	714-0151A	2	/P	Klik Pin Assy Danuse
78	738-0975	2		Axle 1.0 OD x 14.1 Lg
79	734-1593	2		Cmp Whl Assy 16 x 6.5 Snohog
80	712-0116	2	S	Jam L-Nut 3/8-24 Thd.
81	750-1196	1		Spacer
82	736-0639	1		FI-Washer

31AE9931190 Snow Boss 1350W (2001)  
Handle & Chute Assembly



31AE9931190 Snow Boss 1350W (2001)  
Handle & Chute Assembly

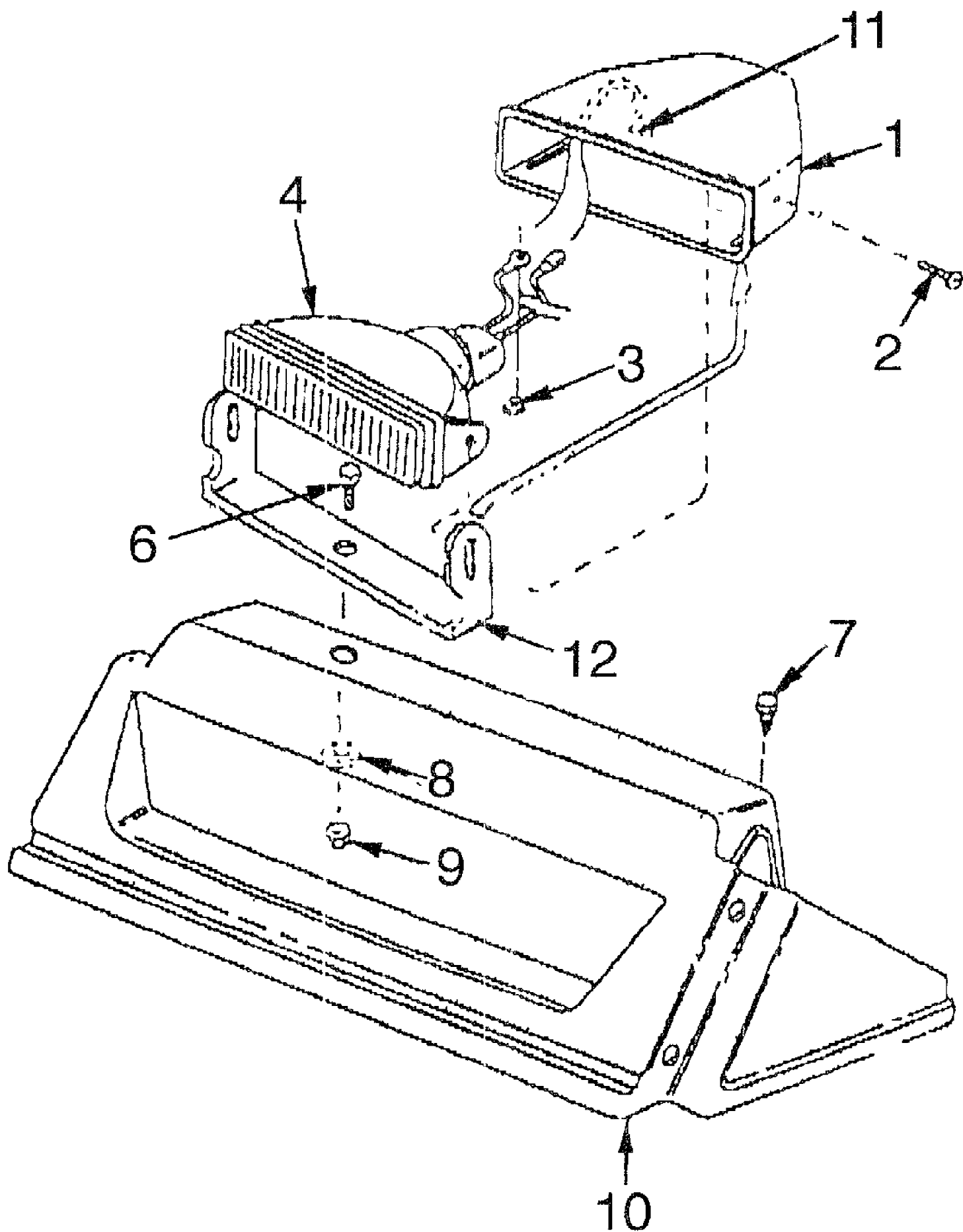
Page 14 of 23

Ref #	Part Number	Qty	S/P/F	Description
1	720-0232	2	S	Shift Knob
2	705-5218	1		Engage Handle Le Blk Dip Rh
3	705-5219	1		Engage Handle Lf Blk Dip Lh
4	710-0351	2	/P	Pan Head B-tapp Scr #10 x .5
5	710-0599	4	/P	Hwhd Sf-tap Scr 1/4-20 x 1/2 Lg.
6	711-0653	1	/P	Clevis Pin .31 Dia x 1.0
7	712-3010	6	S	Nut Hex 5/16-18 Gd 5
8	714-0507	3	S	Cot-pin 3/32 Dia x 1.0
9	732-0145	1	/P	Comp Spring .36 Dia x 1.0 Lg
10	732-0746	1		Spring Torsion .44 ID
11	735-0199A	2	S	Rubber Bumper .63 Dia
12	736-0119	6	S	Lock Washer 5/16
13	736-0509	2		Wsher Spcl. .345 I.D. x .72 OD
14	747-0877	2		Cam Rod
15	748-0362	2		Clutch Lock Cam
16	748-0363	1	S	Clutch Lock Pawl
17	784-5679	1	S	Supt Brkt 5/8 L.H.
18	784-5680	1	S	Supt Brkt 5/8 R.H.
19	784-5681	1	/P	Supt Brkt 3/8 L.H.
20	784-5682	1	S	Supt Brkt 3/8 R.H.
21	684-0102	1		Pnl Asm Hndl W/tilt
22	710-0459A	1	/P	Scr Hex Cap 3/8-24 x 1.5 Gd 5
23	712-0116	1	S	Hex Ins L-nut 3/8-24
24	732-0193	1	/P	Compression Spring .39 ID x .88
25	736-0105	1	/P	Bell Wash .40 ID x .88 OD x .06
26	784-5619A	1	S	Shift Handle
27	710-0458	6	/P	Carriage Bolt 5/16-18 x 1.75
34	710-0276	1	/P	Carriage Bolt 5/16-18 x 1.00
35	710-0458	1	/P	Carriage Bolt 5/16-18 x 1.75
36	710-0805	1	/P	Hex Scr 5/16-18 x 1.5
37	710-0896	2	/P	HWHHD B Tapp Scr 1/4 x 5/8 Lg.
39	712-0429	3	S	Hex Ins L-nut 5/16-18
40	731-0846C	1	/P	6" Upper Chute Remote Tilt
41	731-1313C	2	/P	Chute Tilt Cable Guide
42	731-0903D	1	S	6" Lower Chute Remote Tilt
43	731-1319	2	S	Chute Pivot Spacer
44	736-0159	2	S	Fl-wash .344 ID x .88 OD x .063
45	736-0231	1	S	Flt Wshr .344 x 1.125 x .125
47	736-0506	1	S	Contoured Washer
48	746-0902	1	S	Chute Control Cable 66"
49	746-0903	1	S	Chute Control Cable 66" W/clip
50	784-5594	1		Cable Bracket Chute Tilt
51	784-5604	1	S	Chute Tilt Handle
52	684-0053A	1	S	Lower Chute Directional Control
53	710-3015	1	/P	Hex Scr 1/4-20 x .75 Lg Gd5
54	712-0287	1	S	Hex Nut 1/4-20
55	720-0201A	1	/P	Chute Directional Control Knob
56	726-0100	1	S	Push Cap 3/8 Palnut #375011
57	736-0117	1	S	Flat Washer .38 ID x .60 OD x .033
58	736-0270	1	/P	Bell Wash .26 ID x .75 OD x .06T
59	747-0624	1	S	Upper Chute Directional Control
60	705-5266	1	S	Brkt chute directional control
61	741-0475	1	S	Plastic Bushing .380 ID

31AE993I190 Snow Boss 1350W (2001)  
Handle & Chute Assembly

Page 15 of 23

Ref #	Part Number	Qty	S/P/F	Description
62	710-0216	2	/P	Hex Scr 3/8-16 x .75
63	710-0347	2	/P	Hex Scr 3/8-16 x 1.75
64	710-1625	2		Scr Oval C/sunk #10-24 x 1.75
65	711-0677	1	S	Adjustment Ferrule
66	712-0127	2	/P	#10-24 Flat Weld Nut
67	714-0101	1	S	Internal Cot-pin 1/2 Dia
68	714-0104	4	S	Inter Cot-pin 5/16 Dia
69	736-0105	4	/P	Bell Wash .4 ID x .88 OD x .06
70	736-0185	2	S	FI-wash .406 ID x .74 OD x .063
71	736-0275	2	S	FI-wash Sae .34 x .68 x .062
72	746-0950	2	S	Trigger Ass'y Steer
73	712-0324	2	/P	Hex Ins L-nut 1/4-20
74	732-0184	2	/P	Extension Spring
75	646-0012	2		Cable Clutch Drive
76	749-0991	1		Handle Lower
77	749-0990A	1		Handle Upper R.H.
78	749-0989A	1		Handle Upper L.H.
79	747-0997	1		Upper Shift Rod 5/16 x 10.57
80	750-0963	1	S	2 Pc Shift Rod Connector
81	747-0983	1	S	Lower Shift Rod 3/8 x 14.75
82	712-0287	2	S	Hex Nut 1/4-20
83	736-0270	2	/P	Bell Wash .26 ID x .75 OD x .06T
84	720-0284	4	S	Wingnut
85	736-0242	4	/P	Bell Wash .345 ID x .88 OD x .060
86	710-0572	4	/P	Carriage Bolt 5/16-18 x 2.5





31AE9931190 Snow Boss 1350W (2001)  
Headlight Panel

Page 17 of 23

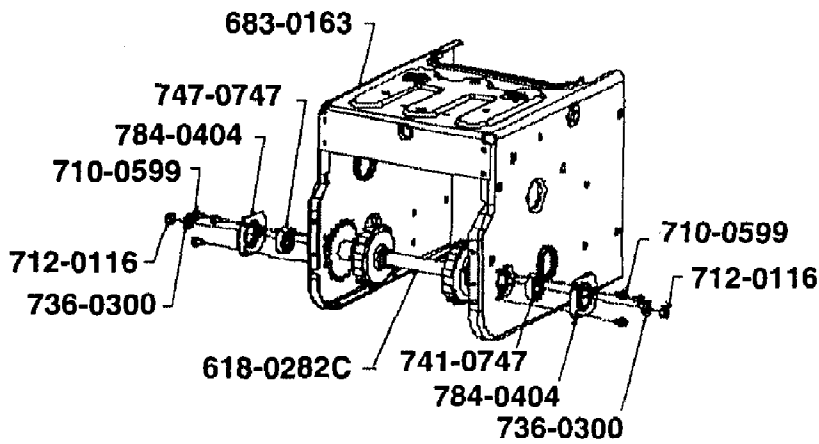
Ref #	Part Number	Qty	S/P/F	Description
1	731-1364	1		Halogen Lamp Housing
2	710-1240	2		Phillips Pan Head Screw M 4 x 16
3	712-0271	1	/P	Hex Sems Nut 1/4-20
4	725-1669	1	S	Lamp/Lens Housing Ass'y
	629-0059	1	S	Halogen Light Wire Harness
	725-1658	1	S	#890 Halogen Bulb
6	710-0451	1	/P	Carriage Bolt 5/16-18 x .75
7	710-0351	2	/P	Pan Head B-Tapp Screw #10
8	736-0159	1	S	FI-Wash .344 ID x .88 OD
9	712-0429	1	S	Hex Ins L-Nut 5/16-18
10	731-0061	1		Handle Panel
11	735-0225	1		Grommet .38 ID x .50 OD x 12
12	705-5217	1		Lamp Mounting Bracket

31AE9931190 Snow Boss 1350W (2001)  
Planetary Ball Bearings (S/N XXXXX - XXXXX)

Due to the early fatigue of the powder metal hex bushings used to support the planetary in the frame they have been replaced with ball bearings.

**Retrofit:**

For units built in the past, the bore of the hex bushing 741-1111 which was used to support the planetary could be opened up to a diameter of .75 +/- .005 inches to accept needle bearing #741-0136.



31AE9931190 Snow Boss 1350W (2001)  
Planetary Ball Bearings (S/N XXXXX - XXXXX)

Page 19 of 23

Ref #	Part Number	Qty	S/P/F	Description
618-0282C	618-0282C	1	S	Planetary
683-0163	683-0163	1	S	Trans. Frame
710-0599	710-0599	6	/P	Screw
712-0116	712-0116	2	S	Nut
736-0300	736-0300	2	S	Washer
747-0747	747-0747	2		Ball Bearing
784-0404	784-0404	2		Bearing Cup
741-0747	741-0747	1		Ball Bearing

31AE9931190 Snow Boss 1350W (2001)  
Planetary Carriers (S/N XXXXX - XXXXX)

To reduce the wear on the carriers and prolong the life of the planetary assembly, the powder metal bushings in the carriers have been replaced with needle bearings. (See figures 4a, 4b, & 4c)

Figure 4a

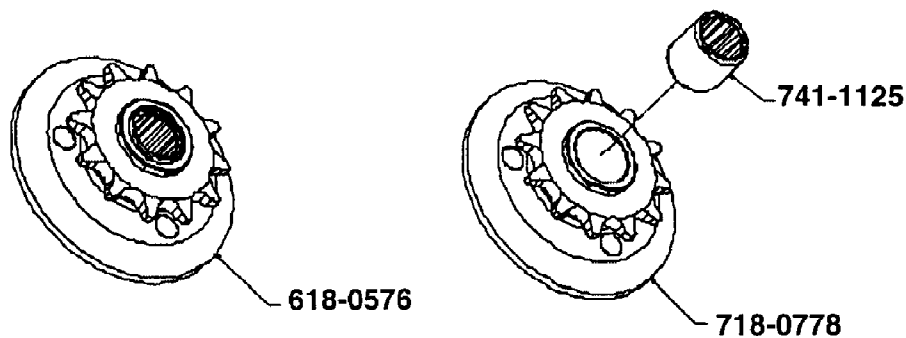
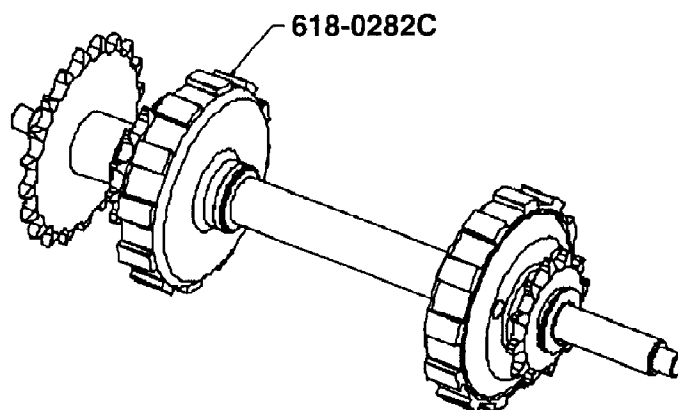


Figure 4b

Figure 4c

31AE9931190 Snow Boss 1350W (2001)  
Planetary Carriers (S/N XXXXX - XXXXX)

---

Ref #	Part Number	Qty	S/P/F	Description
618-0282C	618-0282C	1	S	Planetary Assy. 900
618-0576	618-0576	2	S	Carrier Assembly
718-0778	718-0778	2		Carrier
741-1125	741-1125	2		Needle Bearing

31AE9931190 Snow Boss 1350W (2001)  
Shift Arm Assembly (S/N XXXXX - XXXXX)

To minimize the wear on the shift arm rod and surrounding area of the frame, the shift arm assembly has been redesigned so that the shift rod pass through two powder metal bushings, as seen in *figures 2a & 2b*.

**NOTE:** Part #684-0161 has replaced Part #684-0116  
Part #784-0403 has replaced Part #784-5590

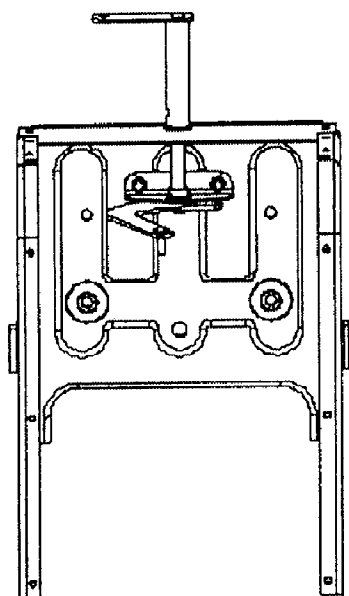


Figure 2a

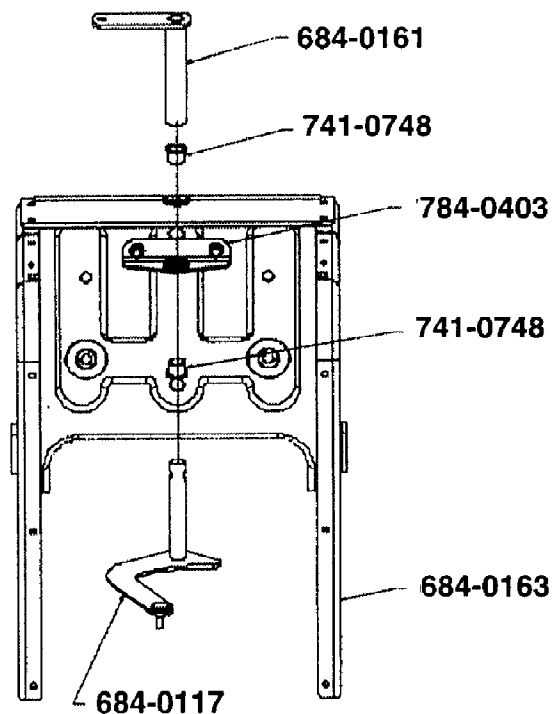


Figure 2b

31AE9931190 Snow Boss 1350W (2001)  
Shift Arm Assembly (S/N XXXXX - XXXXX)

Ref #	Part Number	Qty	S/P/F	Description
684-0117	684-0117	1		Shift Arm
684-0161	684-0161	1	S	Shift Arm Adapter
684-0163	684-0163	1		Trans. Frame
741-0748	741-0748	2		Bushing
784-0403	784-0403	1	S	Shift Arm Bracket